

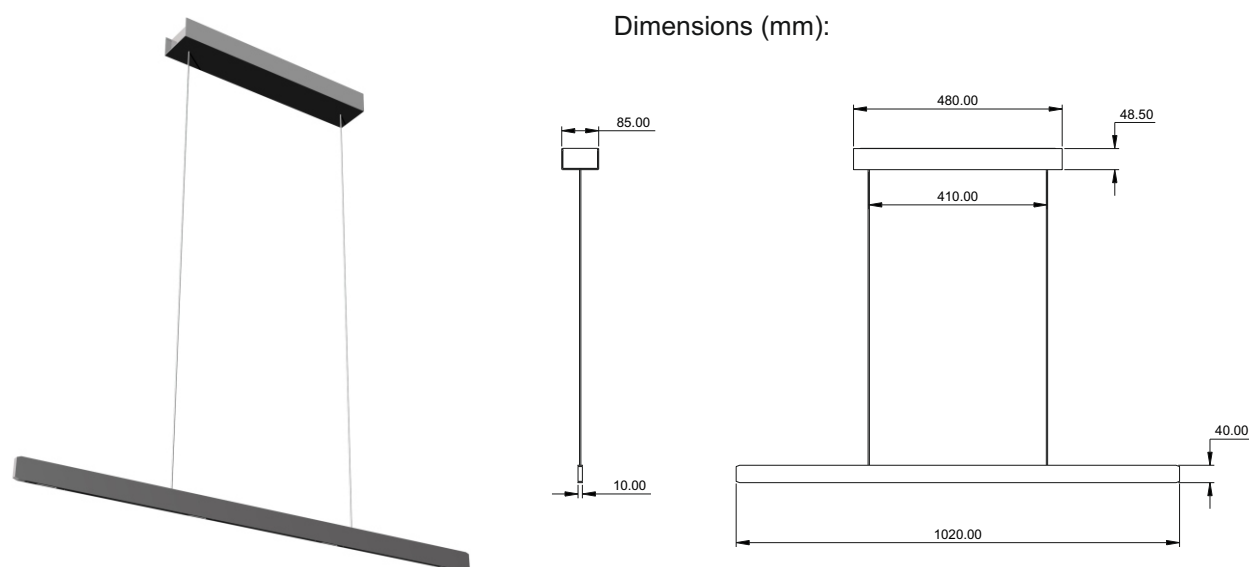
# Pendant Luminaire NALU 1020

## Data Sheet

Linear LED pendant luminaire with light emission for top and bottom. The light colours and brightness for the ambient light upwards and the functional light downwards can be operated separately or synchronously via touch sensor.

The length of the pendant luminaire is 1020mm. Possible alternative lengths are 1320mm, 1620mm and 2120mm.

The possible colour levels for the ambient and functional light are: 2700K, 3000K, 3200K, 3500K, 3900K, 4500, 5000K, 5600K. The up and down light can also be switched off at the luminaire. \*1)

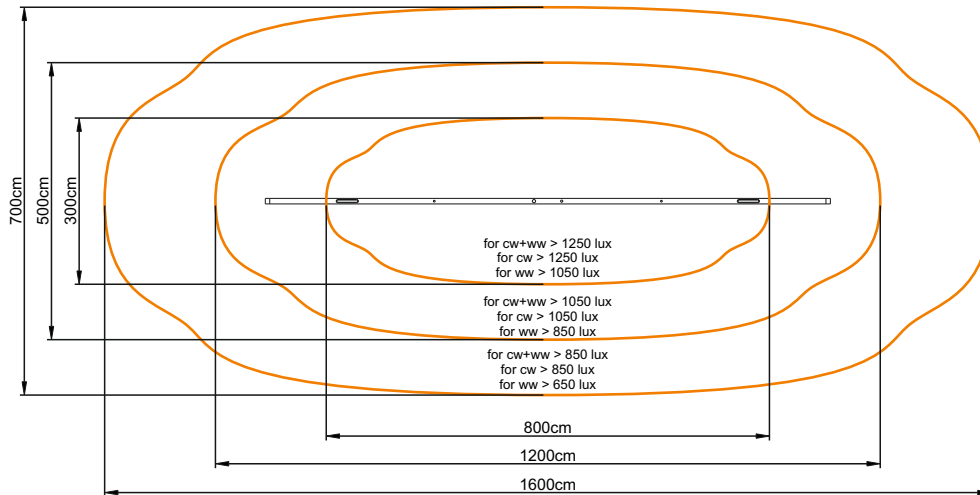


<b>Features</b>	Material	Aluminium, Glass
	Height Adjustment	adjustable during assembly *2)
	Weight	Luminaire Body: 0,9 kg; Baldachin: 1,4 kg
<b>Surface</b>	Luminaire Body	Blasted with glass beads and anodized Color: light grey, raven grey
	Baldachin	same as Luminaire Body
<b>Technics</b>	Average Life	> 50.000 hours
	Number of LED-Modules	Top: 2; Down: 4
	Energy Efficiency	A+
	Power [W]	72
	Luminous Flux [lm]	Top: 1440; Down: 2880
	Color Temperature [K]	2.700 - 5.600
	Color Rendering Index (CRI)	Ra > 92
<b>Electronic</b>	Dimming	Touch Dimmer for top and down
	Power Connection	220 - 240 V - 50/60 Hz

# Pendant Luminaire NALU 1020

## Data Sheet

Light distribution at a distance of 75cm between the luminaire and the table:



To \*1): Explanation of light colour and most similar colour temperature of lamps according to EN-12464-1:

Light Color	Similar Color Temperature T <sub>cp</sub>
warm white	below 3300 K
neutral white	from 3300 K to 5300 K
day light white (cold white)	above 5300 K

**Safety Function** When the light is switched off and on, the "top light off" state is not stored. The "Both lights off" state is not available for synchronised switching.

This function ensures that when the light is switched on and the voltage is applied, there's always a light on.

The function in the software is, if the light was off at the top, after current off/on the light will be switched on at the top and the engine is advanced by one step.

To \*2): Explanation of suspension (cable length):

The standard cable length is 100 cm. Free service: If you have questions about the right length We will be happy to advise you on the suspension or on the optimum distance between luminaire and table.

The desired length of the suspension can be adjusted free of charge by Liin. Please note the required length when ordering.

